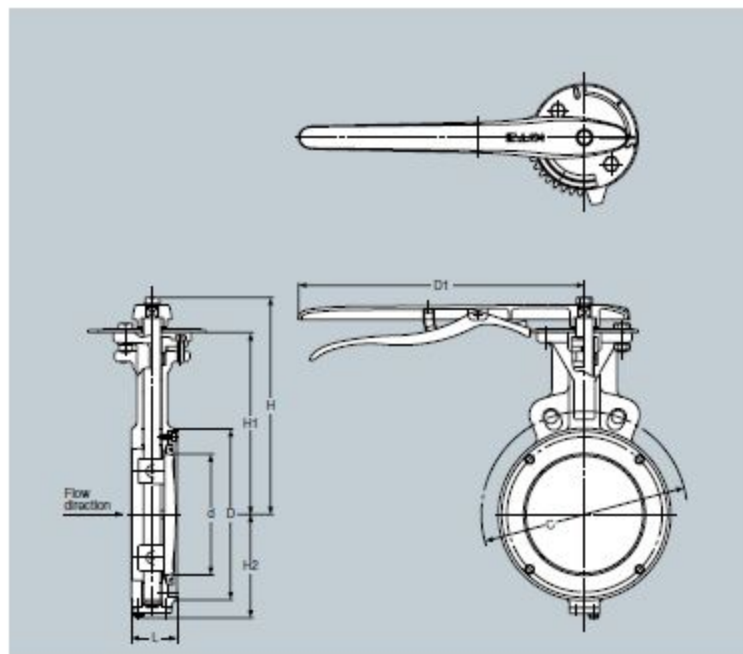


LEVER OPERATED

10UB*: Class 10K / 150UB: Class 150

*KITZ valve codes shall be suffixed with M in case of SCS14A stainless steel body and trim.



Dimensions

unit : mm

Size		d	H	H1	H2	L	D	D1	C	
mm	inch								10K	150
50	2	50	176	138	64	43	90	230	120	120.5
65	2½	65	196	148	74	46	115		140	139.5
80	3	78	208	167	82		52	126	280	150
100	4	98	222	181	92	146		175		190.5
125	5	123	241	202	115	56	181	350	210	216.0
150	6	148	264	225	126		211		240	241.5