

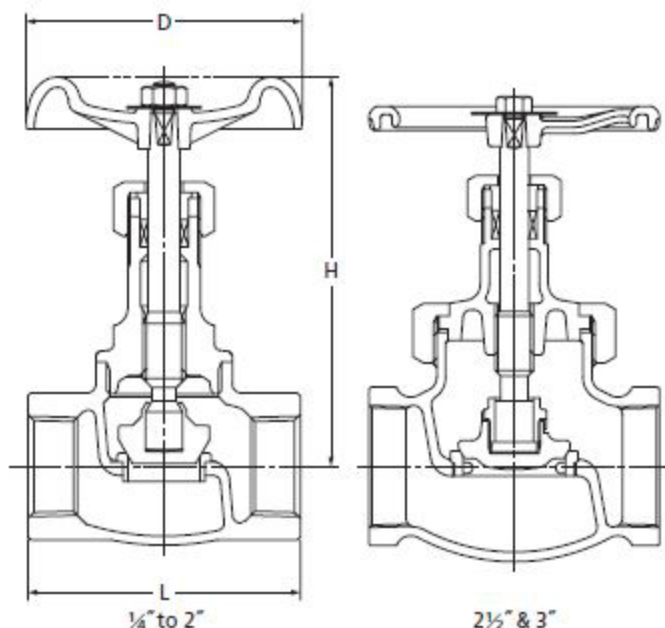
JIS 10K Globe Valve

10SJ

S.B.I.S. or U.B.I.S.



S.B.I.S. for 2" & smaller
U.B.I.S. for 2½" & 3"



E-E dimension : JIS B 2051*
End threads : JIS B 0203
*KITZ Std. for ¼", ⅜", 2½" & 3"

120°C Static water..... 1.37MPa
220°C Steam, air, gas, oil..... 0.98MPa

●Use for lubricating or hydraulic oil is acceptable. Contact KITZ Corporation for technical advice, if valves are used as heat transfer media.

Materials

Parts	JIS material
Body	FCD-S
Bonnet	FCD-S
Stem	SUS 420J2
Disc	SUS 403
Body seat ring	SUS 403 (2½" & 3: SCS 1)
Gland	SUS 403 (¼" ~ ¾" : SUS 420J2)
Gland packing	Asbestos-free
Packing nut	FCD-S
Handwheel	FCD 450-10 (2½" & 3" : FCD 400-15)
Wheel nut	SS 400
Gasket	Asbestos-free
Bonnet ring	FCD-S
Name plate	A1050P

Dimensions

Size	mm									
	mm inch	8 ¼	10 ⅜	15 ½	20 ¾	25 1	32 1¼	40 1½	50 2	65 2½
L	50	55	65	80	90	105	120	140	180	200
H (open)	108	108	122	125	146	160	180	198	250	280
D	60	60	70	80	90	100	115	135	180	225