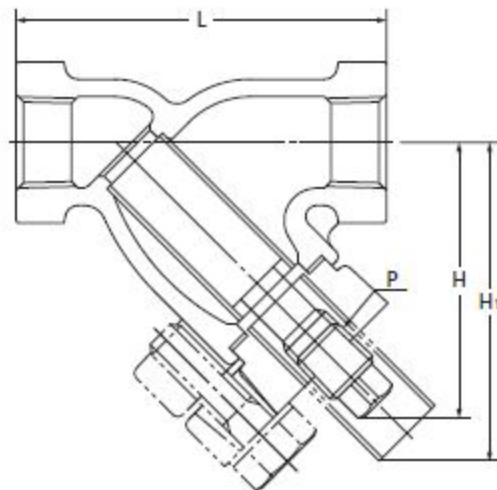


20K Strainer for Gas Service

20FDY
B.C.



E-E dimension : KITZ Std.
End threads : JIS B 0203

120°C Static water..... 2.75MPa
220°C Steam, air, gas, oil..... 2.45MPa
300°C Steam, air, gas, oil..... 2.26MPa
350°C Steam, air, gas, oil..... 1.96MPa

- Use for lubricating or hydraulic oil is acceptable.
- A gasket will be used for sealing the plug for application to high temperature exceeding 260°C. Specify your service temperature in advance. Ensure replacement of plug gaskets on your valve maintenance.

Materials

Parts	JIS material
Body	FCD-S
Cover	FCD-S
Gasket	Asbestos-free
Screen*	SUS 304
Plug	SUS 304
Cover bolt	S45C

* 40mesh wire cloth (reinforced with SUS 304 punched plate)

Dimensions

mm

Size	mm	10	15	20	25	32	40	50
	inch	1/2	3/4	3/4	1 1/4	1 1/2	2	2
L		80	85	100	115	135	150	180
H		65	65	70	83	120	130	152
P		Rc1/4	Rc1/4	Rc3/8	Rc1/2	Rc3/4	Rc1	Rc1 1/4
H1		74	74	85	102	122	134	161