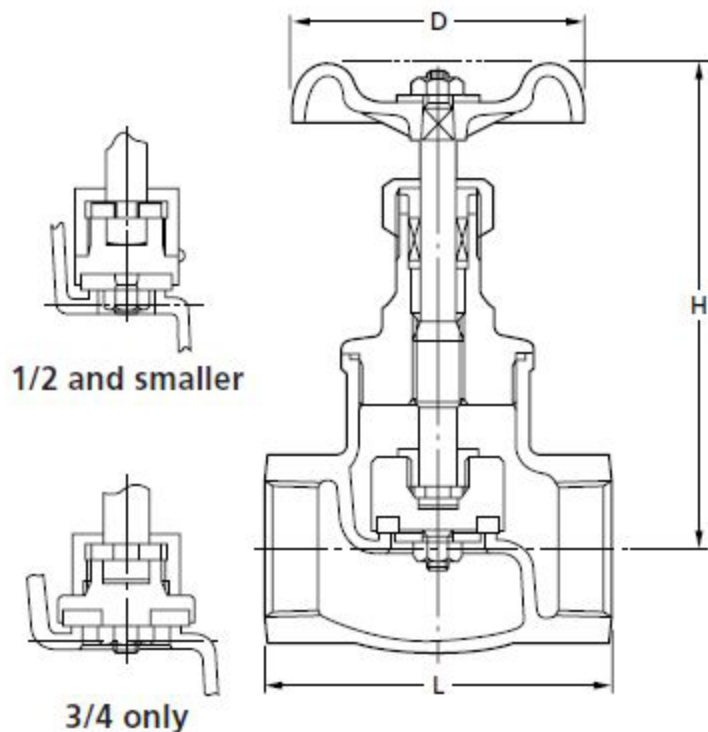


10K

GLOBE VALVE with PTFE DISC

Pressure-Temperature Rating: 1.0MPa: 180°C



Face-to-Face Dimensions: JIS B2011
 End Thread Dimensions: JIS B0203
 Wall Thickness: KITZ Std.

Parts	UD	UDM
Body	SCS13A	SCS14A
Bonnet	SCS13A	SCS14A
Stem	SUS304	SUS316
Disc	PTFE	
Disc holder	SUS304	SUS316
Lock nut	SUS304	SUS316
Gland	SUS304	SUS316
Gland packing	Refer to Page 10	
Packing nut	SCS13A / SUS304	
Handwheel	ZDC (3/8~3/4) / ADC12 (1~2)	
Gasket	PTFE	
Packing washer	SUS316	
Stem washer	SUS316	
Name plate	A1050P	

UD **UDM**

Nominal Size	Unit:mm						
	3/8	1/2	3/4	1	1 1/4	1 1/2	2
L	10	15	20	25	32	40	50
H	55	65	80	90	105	120	140
D	109	112	113	143	156	171	189
	60	60	70	90	90	100	115